



Door Shim Kit

Models: Most Patio/Sliding Doors

For more instructions, pictures, pencil test, shim details and other Lock-EZ videos, visit www.franklinandjackson.com/lock-ez/

- 1) Remove the contents to make sure all the parts are present. See the Bill of Materials for the list of parts. See our website for any damage and other instructions.
- 2) The Lock-EZ system requires no maintenance; but the door being used must be in good working order. Do the proper maintenance before starting the installation. Follow all precautions & warnings.
- 3) Before starting, fully review these and the restraint instructions.
- 4) Clean the door side. Alcohol wipes should be included in the kit that came with restraint.
- 5) Install the shims for door offsets, trim pieces or obstacles. Use the shims to fill in the door side offsets (Fig 1), or use to lift the lock body off the door side, so it can go over/around an obstacle, like a door adjustment screw (Fig 2) or a plastic side trim (not shown). The shims can be arranged for most obstacles. (Figs 3-5) (Note: The maximum the shim can lift the body is .200". Check before proceeding. Use two Shim Kits for more height.)

- 6) Always use the full height shim sections at both the top and the bottom lock body locations. The 6" pieces of VHB tape are required for the lock body to be properly adhered to the door side. Less than 6" will void the warranty. Locate the shim sections at both the top and bottom of the lock body. The shims or the lock body should never go past the door top or bottom edges. One shim, large or small should always be located directly behind where the lock rod exits the lock body. (Figs 5 & 6) This can damage the lock body if not done and voids the warranty.
- 7) The shims can be attached to the door side first or to the back of lock body. (Figs 3-5) The shims are located based on where the lock body needs to be located for its proper function. Temporarily locate the lock body first to mark the shim locations if necessary. Always center the shims on the lock body except when locating the small section behind the lock rod location. Remove the tape film to attach the shims. Press very firmly. The maximum strength of tape adherence is after 72 hours. Do not over pressure the lock until this time has passed.
- 8) After the shim installation, continue to follow the instructions for the restraint.



Fig. 1

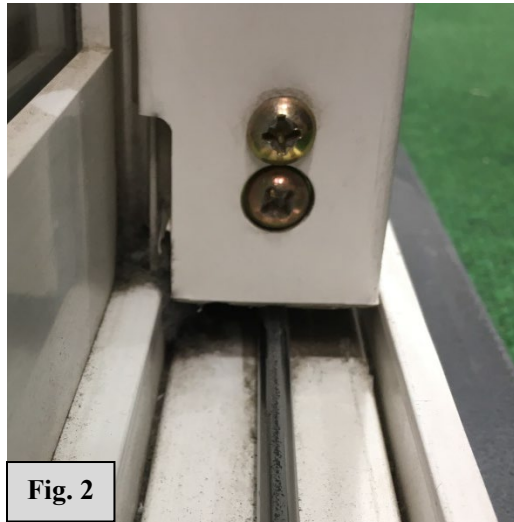


Fig. 2



Fig. 3

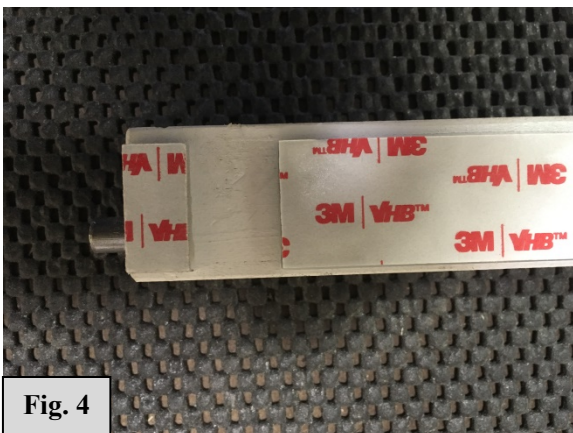


Fig. 4

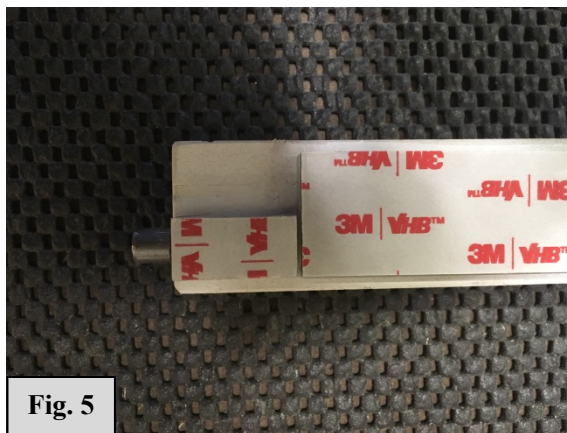


Fig. 5

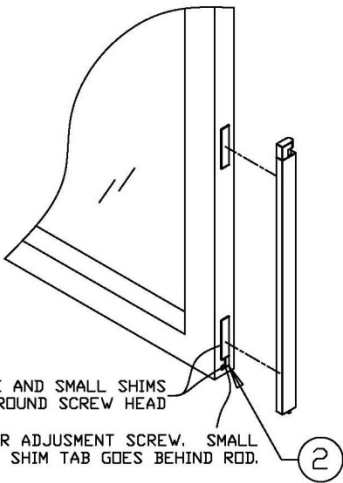
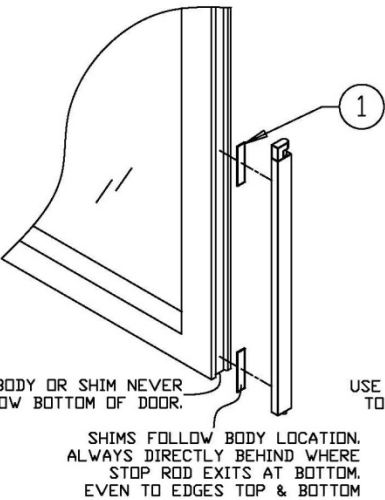
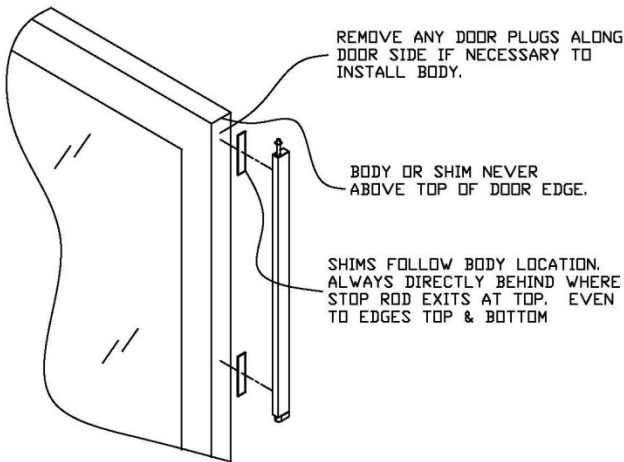


Patio Door Restraint

Exploded Bill of Materials and Parts

- 1) Large Shim (2)
- 2) Small Shim (1)

TOP PLUGS



DOOR OFFSET

DOOR SCREW

Limited Warranty Policy

The Franklin and Jackson Group warrants to the original purchaser a one time, defective parts replacement costs only, no associated labor costs, for a period of 90 days from date of purchase. F&JG makes no other warranties, express or implied, including, but not limited to, any implied warranty or condition of merchantability or fitness. Void if used by commercial and/or rental property purposes. Proof of purchase, proof of proper installation and proof of no abuse must be given within 30 days of the incident, to receive such warranty. The purchaser assumes **all** responsibilities & liabilities for injuries, damage or loss suffered as the result from the use and installation of the Lock-EZ Patio Door Restraint system.

Contact Information

F&JG ENGINEERING, DUBUQUE, IA 52002 USA
www.franklinandjackson.com/ See "Contact Us"



Disclaimer/Other Information

- 3M VHB Tape is the primary bond used on the Lock-EZ lock body assembly and stop bar. Bond strengths include the dependency upon the amount of adhesive to substrate contact, temperature and cleanliness of the substrate. The use of an alcohol based cleaner is required for the installation. Use very firm pressure to maximize bond. 50% bond strength after 20 minutes, 100% bond strength achieved after 72 hours. Most porous materials, like wood substrates, need to be sealed to achieve this bond. For more information, visit:

www.3M.com/vhb

-The Lock-EZ System does not require maintenance, but some parts can be a choke hazard when unused, if the unit gets damaged or comes apart. Keep the unit in good working order. The packaging used with the product can pose as a suffocation hazard. Keep all plastic bags or other materials away from babies and children, they are not toys! Dispose of properly!

- Read all "Warning" labels, before use on all products supplied with the Lock-EZ Patio Door Restraint system. Some pictures for figures may not be exactly as in your installation. Installations are all different, so pictures are for general reference. See www.franklinandjackson.com/ for Disclaimers, Returns and Refund Policy, etc. for this product.

- Tools: None